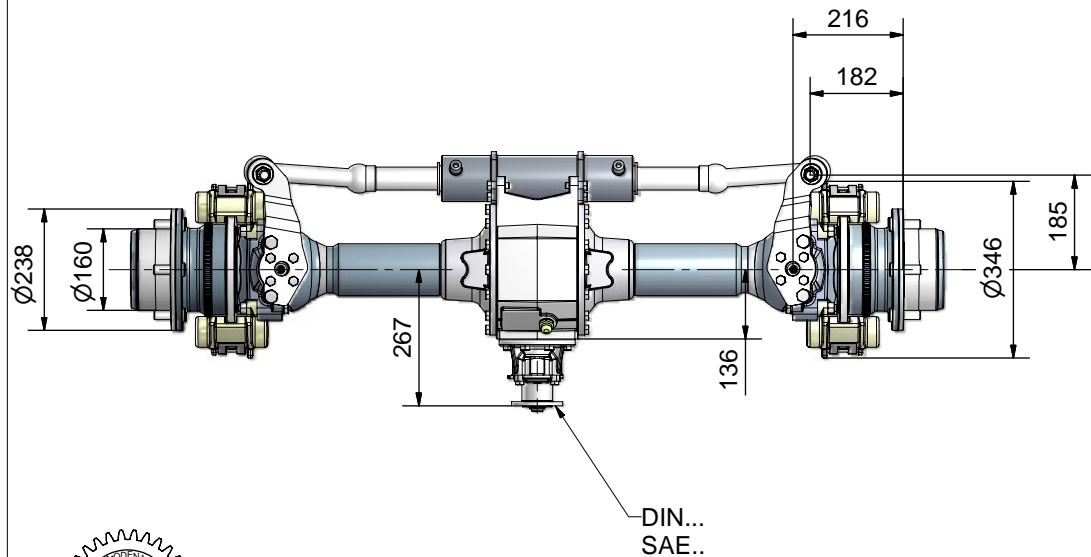
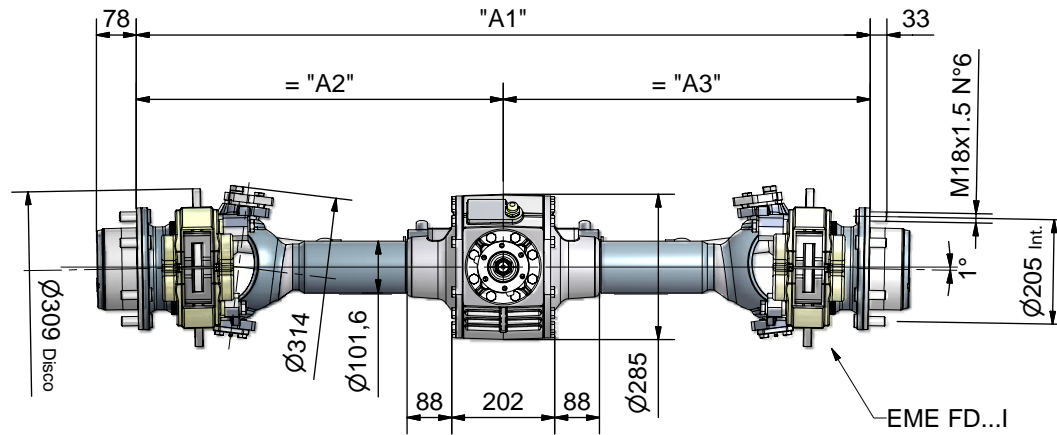


SERIE 170

PONTE DIFFERENZIALE STERZANTE - STEERING DIFFERENTIAL AXLE PONT DIFFERENTIEL DIRECTEUR- DIFFERENTIALLENKACHSE

EME P-174-2FD...i



DATI TECNICI-SPECIFICATIONS-DONNEES TECHIQUES-TECHNISCHE DATEN

PORTATA DINAMICA DYNAMIC CAPACITY PORTEE DYNAMIQUE DYNAMISCHE TRAGKRAFT	da N (kg) 4500	COPPIA MAX. ALL'USCITA MAX OUTPUT TORQUE COUPLE MAXI A LA SORTIE MAX ABTRIEBSDREHMOMENT	da Nm (kgm) 1000
PORTATA STATICA STATIC CAPACITY PORTEE STATIQUE STATISCHE TRAGKRAFT	da N (kg) 6500	FRENATURA IDRAUL. E MECC. A DISCO HYDR. AND MECH. DISC BRAKING FREINAGE HYDR. ET MEC. A' DISQUE HYDR.UND MECH. SCHEIBENBREMSUNG	EME FD...i (PAG. 010-035)
RAPPORTI TOTALI TOTAL CAPACITY RAPPORTS TOTAUX GANZE UNTERSETZUNGEN	"i" 9.263:1 10.969:1	13.933:1 16.500:1	19.687:1 24.187:1

CARREGGIATA TRACK (mm) "A1"="A2"+"A3"

OPTIONAL

BLOCCAGGIO DIFFERENZIALE DIFFERENTIAL LOCK BLOCAGE DU DIFFERENTIEL DIFFERENTIALSPERRE
 EME ...BL 180 (100%) - EME NO SPIN
 EME ..LS (LIMITED SLIP 40%)

DISINNESTO RELEASE DEBRANCHEMENT ABSCHALTUNG
 EME ...DR 182

PREDISPOSIZIONE IN INGRESSO AI MOTORI IDROSTATICI PREDISPOSITION IN INPUT TO HYDROSTATIC MOTORS DISPOSITION A L'ENTREE AUX MOTEURS HYDROSTATIQUES VOREINSTELLUNG FUR DEN EINGANG AN HYDROSTATISCHEN MOTOREN
 EME ...IDR

SENSORE INDUTTIVO PER ABS INDUCTIVE SENSOR FOR ABS CAPTEURINDUCTIF POUR ABS INDUCTIVER SENSOR FUR ABS
 EME ...ABS-SI

SENSORE INDUTTIVO PER BLOCCAGGIO INDUCTIVE SENSOR FOR LOCKING CAPTEURINDUCTIF POUR BLOQUAGE INDUCTIVER SENSOR FUR SPERRE
 EME ...SP..

FISSAGGIO AL TELAIO OSCILLANTE FIXING TO THE OSCILLATING FRAME FIXATION AU CHASSIS OSCILLANT BEFESTIGUNG AM SCHWINGENDEN RAHMEN
 EME ...BASC....

