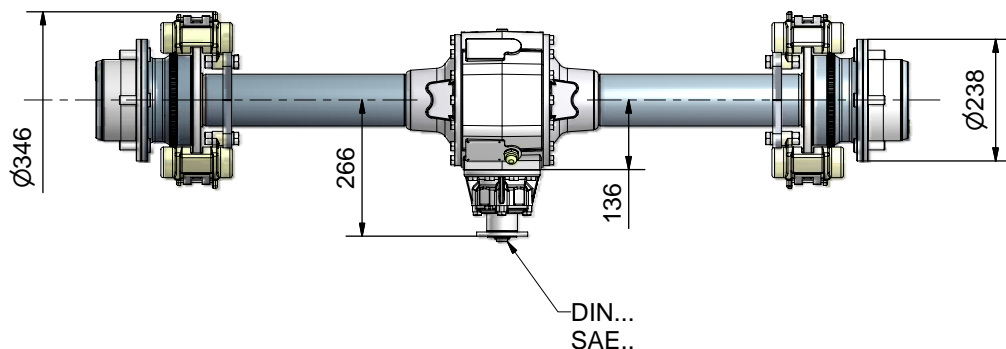
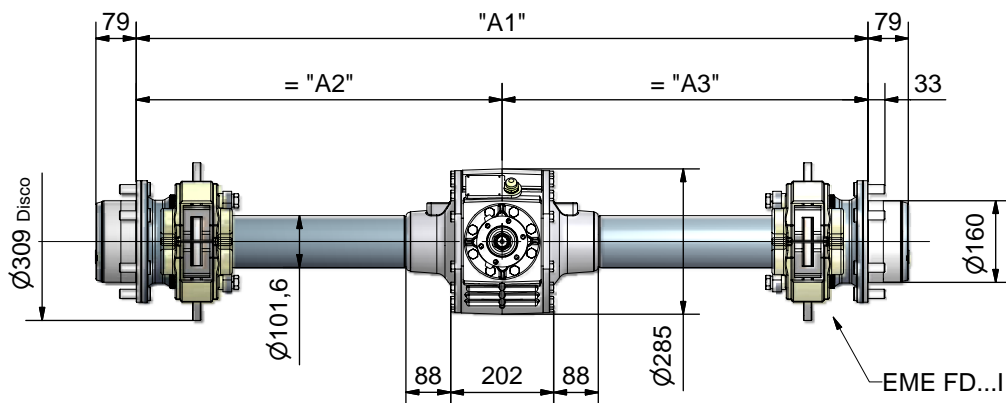


SERIE 170

PONTE DIFFERENZIALE FISSO - RIGID DIFFERENTIAL AXLE PONT DIFFERENTIEL FIXE- DIFFERENTIALSTARRACHSE

EME P-172-2FD...i



DATI TECNICI-SPECIFICATIONS-DONNEES TECHIQUES-TECHNISCHE DATEN

PORTATA DINAMICA DYNAMIC CAPACITY PORTEE DYNAMIQUE DYNAMISCHE TRAGKRAFT	da N (kg) 4500	COPPIA MAX. ALL'USCITA MAX OUTPUT TORQUE COUPLE MAXI A LA SORTIE MAX ABTRIEBSDREHMOMENT	da Nm (kgm) 1000
PORTATA STATICA STATIC CAPACITY PORTEE STATIQUE STATISCHE TRAGKRAFT	da N (kg) 6500	FRENATURA IDRAUL. E MECC. A DISCO HYDR. AND MECH. DISC BRAKING FREINAGE HYDR. ET MEC. A' DISQUE HYDR.UND MECH. SCHEIBENBREMSUNG	EME FD...i (PAG. 010-035)
RAPPORTI TOTALI TOTAL CAPACITY RAPPORTS TOTAUX GANZE UNTERSETZUNGEN	"i" 9.263:1 10.969:1	13.933:1 16.500:1	19.687:1 24.187:1

CARREGGIATA TRACK VOIE SPURWEITE	(mm)	"A1"="A2"+"A3"
---	------	----------------

OPTIONAL

BLOCCAGGIO DIFFERENZIALE DIFFERENTIAL LOCK BLOCAGE DU DIFFERENTIEL DIFFERENTIALSPERRE	EME ...BL 180 (100%) - EME NO SPIN EME ..LS (LIMITED SLIP 40%)
--	---

DISINNESTO RELEASE DEBRANCHEMENT ABSCHALTUNG	EME ...DR 182
---	---------------

PREDISPOSIZIONE IN INGRESSO AI MOTORI IDROSTATICI PREDISPOSITION IN INPUT TO HYDROSTATIC MOTORS DISPOSITION A L'ENTREE AUX MOTEURS HYDROSTATIQUES VOREINSTELLUNG FUR DEN EINGANG AN HYDROSTATISCHEN MOTOREN	EME ...IDR
--	------------

SENSORE INDUTTIVO PER ABS INDUCTIVE SENSOR FOR ABS CAPTEURINDUCTIF POUR ABS INDUCTIVER SENSOR FUR ABS	EME ...ABS-SI
--	---------------

SENSORE INDUTTIVO PER BLOCCAGGIO INDUCTIVE SENSOR FOR LOCKING CAPTEURINDUCTIF POUR BLOQUAGE INDUCTIVER SENSOR FUR SPERRE	EME ...SP..
---	-------------

FISSAGGIO AL TELAIO OSCILLANTE FIXING TO THE OSCILLATING FRAME FIXATION AU CHASSIS OSCILLANT BEFESTIGUNG AM SCHWINGENDEN RAHMEN	EME ...BASC....
--	-----------------

