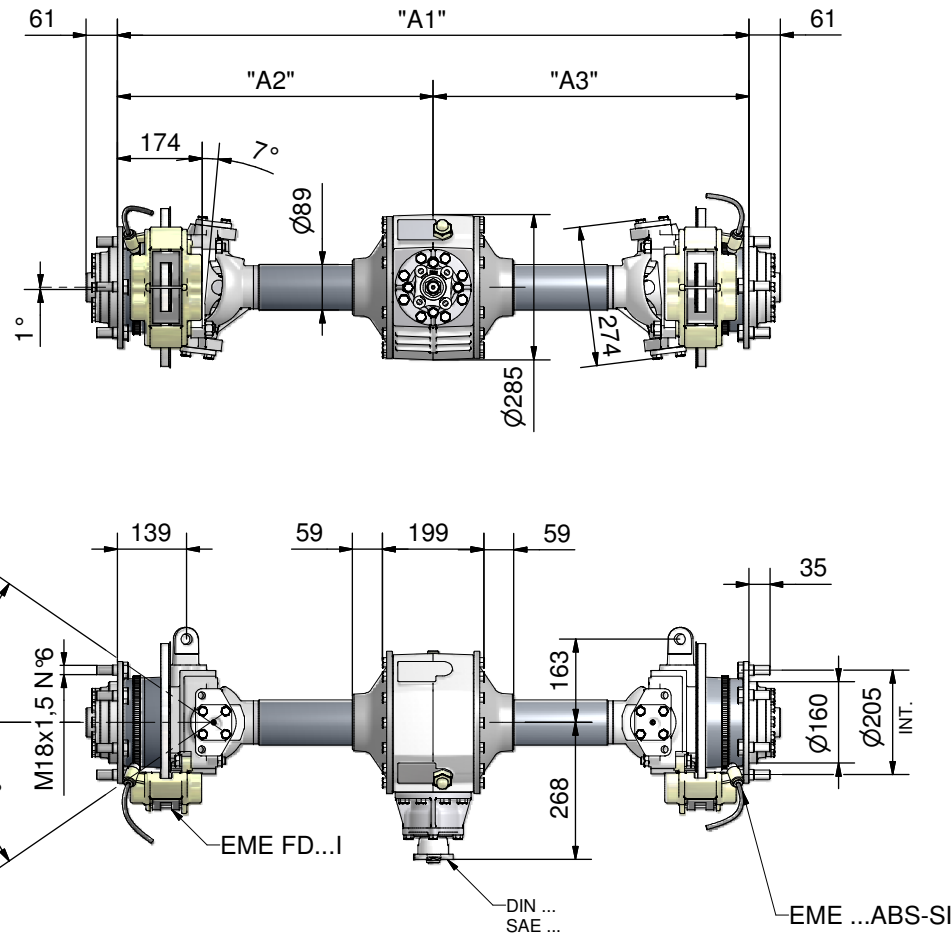


SERIE 150

PONTE DIFFERENZIALE STERZANTE - STEERING DIFFERENTIAL AXLE PONT DIFFERENTIEL DIRECTEUR- DIFFERENTIALLENKACHSE

EME P-152-FD...i



DATI TECNICI-SPECIFICATIONS-DONNEES TECHIQUES-TECHNISCHE DATEN

PORTATA DINAMICA DYNAMIC CAPACITY PORTEE DYNAMIQUE DYNAMISCHE TRAGKRAFT	da N (kg) 3500	COPPIA MAX. ALL'USCITA MAX OUTPUT TORQUE COUPLE MAXI A LA SORTIE MAX ABTRIEBSDREHMOMEN	da Nm (kgm) 550
PORTATA STATICA STATIC CAPACITY PORTEE STATIQUE STATISCHE TRAGKRAFT	da N (kg) 7000	FRENATURA IDRAUL. E MECC. A DISCO HYDR. AND MECH. DISC BRAKING FREINAGE HYDR. ET MEC. A' DISQUE HYDR.UND MECH. SCHEIBENBREMSUNG	EME FD...I (PAG. 010-035)
RAPPORTI TOTALI TOTAL CAPACITY RAPPORTS TOTAUX GANZE UNTERSATZUNGEN	3,666:1 "i" 4,375:1 5,375:1		

CARREGGIATA
TRACK
VOIE
SPURWEITE

(mm) "A1"="A2"+"A3"

OPTIONAL

BLOCCAGGIO DIFFERENZIALE
DIFFERENTIAL LOCK
BLOCAGE DU DIFFERENTIEL
DIFFERENTIALSPERRE

EME ...BL 180 (100%) - EME NO SPIN
EME ..LS (LIMITED SLIP 40%)

DISINNESTO
RELEASE
DEBRANCHEMENT
ABSCHALTUNG

EME ...DR 182

COMANDO STERZATURA MEDIANTE CILINDRO IDRAULICO INTEGRALE
STEERING CONTROL THROUGH COMPLETE HYDRAULIC CYLINDER
COMMANDE DE BRAQUAGE PAR CYLINDRE HYDRAULIQUE COMPLET
LENKUNGSANTRIEB DURCH KOMPLETTEN HYDRAULISCHEN ZYLINDER

EME ...SI3P

COMANDO STERZATURA MEDIANTE BARRA
STEERING CONTROL WITH BAR
COMMANDE DE BRAQUAGE AVEC BARRE
LENKUNGSANTRIEB DURCH BARRE

EME ...SB2

SENSORE INDUTTIVO ABS
INDUCTIVE SENSOR FOR ABS
CAPTEUR INDUCTIF POUR ABS
INDUCTIVER SENSOR FUR ABS

EME ...ABS-SI

SUPPORTO OSCILLANTE
OSCILLATING BEARING
SUPPORT OSCILLANT
SCHWINGENDE HALTERUNG

EME ...BASC..

DISCO VENTILATO
VENTILATED BRAKE DISC
DISQUE DE FREIN VENTILE'
BELUFTETE BREMSSCHEIBE

EME ...FD..V
(Pag. 010-035)

