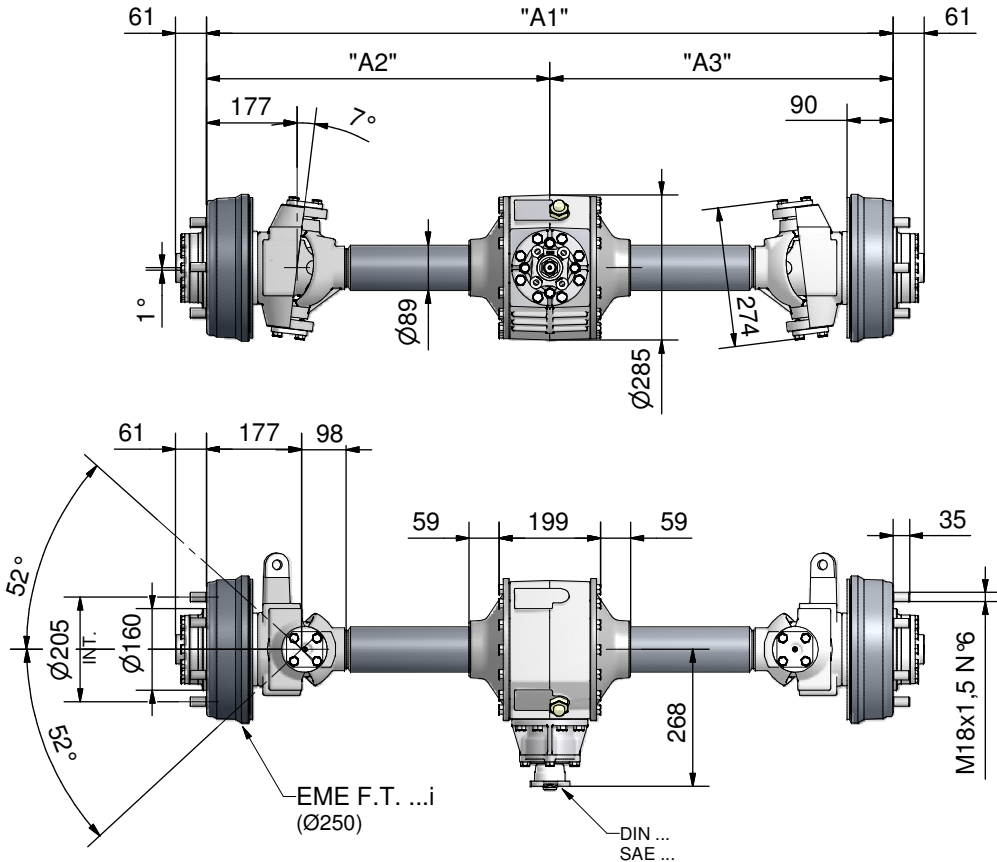


# SERIE 140

## PONTE DIFFERENZIALE STERZANTE - STEERING DIFFERENTIAL AXLE PONT DIFFERENTIEL DIRECTEUR- DIFFERENTIALLENKACHSE

# EME P-142-FT...-V



### DATI TECNICI-SPECIFICATIONS-DONNEES TECHIQUES-TECHNISCHE DATEN

PORTATA DINAMICA DYNAMIC CAPACITY PORTEE DYNAMIQUE DYNAMISCHE TRAGKRAFT	da N (kg) <b>3500</b>	COPPIA MAX. ALL'USCITA MAX OUTPUT TORQUE COUPLE MAXI A LA SORTIE MAX ABTRIEBSDREHMOMEN	da Nm (kgm) <b>550</b>
PORTATA STATICA STATIC CAPACITY PORTEE STATIQUE STATISCHE TRAGKRAFT	da N (kg) <b>7000</b>	FRENATURA IDRAULICA A TAMBURO HYDR. DRUM TYPE BRAKE FREINAGE HYDR. A' TAMBOUR HYDR. TROMMELBREMSEN	<b>EME FT...i</b> (pag. 010-030)
RAPPORTI TOTALI TOTAL CAPACITY RAPPORTS TOTAUX GANZE UNTERSETZUNGEN	<b>3,666 : 1</b> " <i>i</i> " <b>4,375 : 1</b> <b>5,375 : 1</b>		

CARREGGIATA  
TRACK  
VOIE  
SPURWEITE

(mm) "A1"="A2"+"A3"

### OPTIONAL

BLOCCAGGIO DIFFERENZIALE  
DIFFERENTIAL LOCK  
BLOCAGE DU DIFFERENTIEL  
DIFFERENTIALSPERRE

EME ...BL 180 (100%) - EME NO SPIN  
EME ..LS (LIMITED SLIP 40%)

DISINNESTO  
RELEASE  
DEBRANCHEMENT  
ABSCHALTUNG

EME DR...182

PREDISPOSIZIONE IN INGRESSO AI MOTORI IDROSTATICI  
PREDISPOSITION IN INPUT TO HYDROSTATIC MOTORS  
DISPOSITION A L'ENTREE AUX MOTEURS HYDROSTATIQUES  
VOREINSTELLUNG FUR DEN EINGANG AN HYDROSTATISCHEN MOTOREN

EME ...iDR

COMANDO STERZATURA MEDIANTE CILINDRO IDRAULICO INTEGRALE  
STEERING CONTROL THROUGH COMPLETE HYDRAULIC CYLINDER  
COMMANDE BRAQUAGE PAR CYLINDRE HYDRAULIQUE COMPLET  
LENKUNGSANTRIEB DURCH KOMPLETTEN HYDRAULISCHEN ZYLINDER

EME ...SI3P

EME ...SI3A

SUPPORTO OSCILLANTE  
OSCILLATING BEARING  
SUPPORT OSCILLANT  
SCHWINGENDE HALTERUNG

EME ...BASC.  
EME ...BASC.-1

