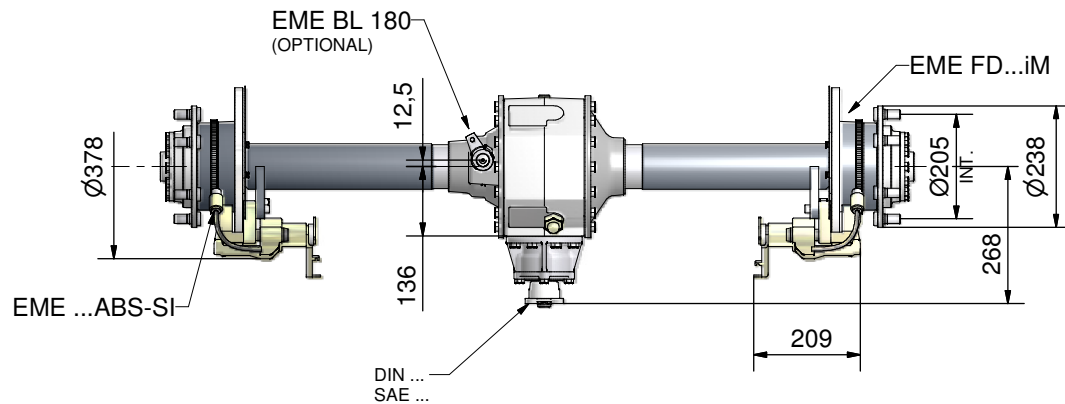
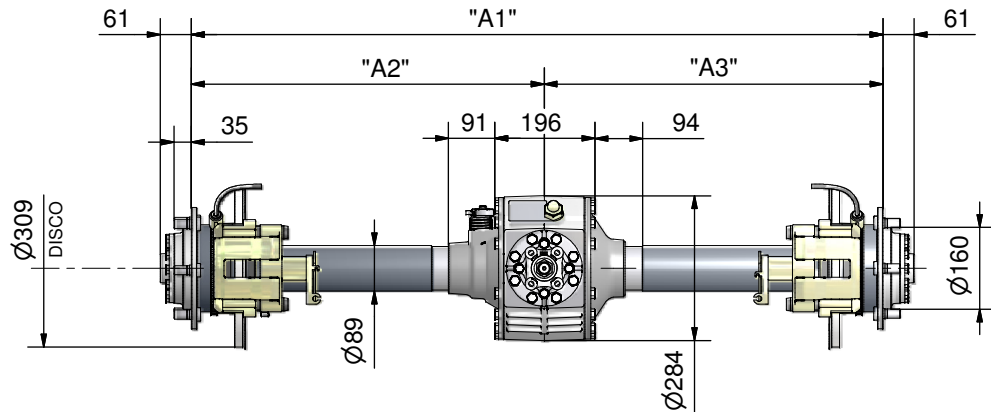


# SERIE 150

## PONTE DIFFERENZIALE FISSO - RIGID DIFFERENTIAL AXLE PONT DIFFERENTIEL FIXE- DIFFERENTIALSTARRACHSE

# EME P-150-FD...iM



### DATI TECNICI-SPECIFICATIONS-DONNEES TECHIQUES-TECHNISCHE DATEN

PORTATA DINAMICA DYNAMIC CAPACITY PORTEE DYNAMIQUE DYNAMISCHE TRAGKRAFT	da N (kg) <b>3500</b>	COPPIA MAX. ALL'USCITA MAX OUTPUT TORQUE COUPLE MAXI A LA SORTIE MAX ABTRIEBSDREHMOMEN	da Nm (kgm) <b>550</b>
PORTATA STATICA STATIC CAPACITY PORTEE STATIQUE STATISCHE TRAGKRAFT	da N (kg) <b>7000</b>	FRENATURA IDRAUL. E MECC. A DISCO HYDR. AND MECH. DISC BRAKING FREINAGE HYDR. ET MEC. A' DISQUE HYDR.UND MECH. SCHEIBENBREMSUNG	EME FD...iM (PAG. 010-035)
RAPPORTI TOTALI TOTAL CAPACITY RAPPORTS TOTAUX GANZE UNTERSETZUNGEN	<b>3,666:1</b> "i" <b>4,375:1</b> <b>5,375:1</b>		

CARREGGIATA TRACK (mm) "A1"="A2"+"A3"  
 VOIE VOIE  
 SPURWEITE

### OPTIONAL

BLOCCAGGIO DIFFERENZIALE DIFFERENTIAL LOCK  
 BLOCAGE DU DIFFERENTIEL DIFFERENTIALSPERRE  
 EME ...BL 180 (100%) - EME NO SPIN  
 EME ..LS (LIMITED SLIP 40%)

DISINNESTO RELEASE DEBRANCHEMENT ABSCHALTUNG  
 EME ...DR 182

PREDISPOSIZIONE IN INGRESSO AI MOTORI IDROSTATICI  
 PREDISPOSITION IN INPUT TO HYDROSTATIC MOTORS  
 DISPOSITION A L'ENTREE AUX MOTEURS HYDROSTATIQUES  
 VOREINSTELLUNG FUR DEN EINGANG AN HYDROSTATISCHEN MOTOREN  
 EME ...iDR

SENSORE INDUTTIVO PER ABS  
 INDUCTIVE SENSOR FOR ABS  
 CAPTEURINDUCTIF POUR ABS  
 INDUCTIVER SENSOR FUR ABS  
 EME ...ABS-SI

SENSORE INDUTTIVO PER BLOCCAGGIO  
 INDUCTIVE SENSOR FOR LOCKING  
 CAPTEURINDUCTIF POUR BLOQUAGE  
 INDUCTIVER SENSOR FUR SPERRE  
 EME ...SP..

